



NEWS

Dynamic circuit regulation for perfect hydraulic balancing

Page 6/7

NEW: HERZ-STRÖMAX GMF



page 8

... the product group »circuit regulating valves« for measuring variable pressure has been extended.

AN EVENING WITH HERZ



page 9

... guests from Austria and all over the world were invited to an evening full of musical and culinary delights.

Editorial	Page 2
Imprint	Page 2
New on our Website	Page 2
International projects	Page 3
Panorama	Page 9, 11
Products und innovations.....	Page 4-8
People.....	Page 10
HERZ-Design	Page 12



HERZ-Differential pressure controller 4007

- for automatic, precise and quick regulation

Dear customers, partners and friends of HERZ,

In 2002 HERZ were able to offer our customers various new products and product supplements. Even in these difficult economic times, HERZ proves to its customers the importance of having a strong and progressive partner in the industry. Our efforts towards the constant development of new products are highly appreciated all over the world. Along with the security provided by the well-known HERZ guarantee, the compatibility of our individual products is a great advantage to the plumber. HERZ is becoming increasingly significant as a supplier of complete systems.

The past year has been influenced a great deal by the expansion of our product range. In January 2002, the new press fittings and screw connections on display at the Aquatherm trade fair in Vienna met with a particularly enthusiastic response. Further innovations include the HERZ-circuit regulation valves – Strömax 4218 GMF, flange model, and the HERZ 4007 differential pressure controller. You will find further details in this issue of HERZ NEWS.

The extension of our range is also being viewed very positively within the trade. We look upon all of this as a good sign for bringing together Austrian companies in these difficult



times. The advice and supply guarantees that can be offered by an Austrian manufacturer are distinct advantages for plumbers and for the trade as a whole.

We are pleased that our efforts towards ongoing expansion in addition to the optimisation of our product range are bearing fruit. This is proven not only by personal feedback from our customers and partners but also by the increased turnover achieved in 2002.

Yours,

*Dr. Gerhard Glinzerer
General Manager*

New on our website

2 x NEW ITEMS on the HERZ website

www.herz-armaturen.com



HERZ technical data sheets online

HERZ Armaturen is now offering a new service to all customers, partners and those with a technical interest – all current HERZ product technical data sheets are now available online at www.herz-armaturen.com.

On the menu, click on »data sheets« and you will find an overview of all HERZ product groups following the order of the current HERZ product range. Under each group you will find the corresponding data sheets in .pdf format, which can be viewed, printed or downloaded.

Regular updating and maintenance guarantees that the technical information on HERZ products is always up to date. HERZ Armaturen is pleased to have made significant improvements to the information available to clients and to have increased the speed of this particular service.

The right way to HERZ

On the homepage under the HERZ company address, there are now details of how to find HERZ, and these can be downloaded and printed. Wherever you are coming from and in whatever mode of transport – you will have no difficulty finding us with the help of our map at www.herz-armaturen.com.



How to get there ... NEW on the HERZ website www.herz-armaturen.com

IMPRINT
HERZ NEWS,
the customer magazine
of HERZ Armaturen.

Media owner, publisher and editor: HERZ Armaturen Ges. m. b. H., A-1230 Vienna, Richard-Strauss-Straße 22
Tel: +43(0)1/616 26 31-0, Fax: extension 27
office@herz-armaturen.com, www.herz-armaturen.com

HERZ Valves UK:
Market House, St. Judes Road, Englefield Green, Surrey TW 20 OBU, England, Telephone: (01784) 435 302, Fax: (01784) 471 846, e-mail: sales@herzvalves.com
www.herz-armaturen.com



Editing: Mag. Gudrun Haigermoser, HERZ Armaturen Vienna.

Layout and graphics: Alexander Fauland.

Production: Odysseus printing works.

Circulation: 5,000 published twice per year.



HERZ deploys a large team in the Netherlands. On the far right of the picture is Mr. Martin Hutjes, manager of the Dutch operation who has worked for HERZ since 1980.



HERZ-floor heaters with top-meters, circuit-regulating valves, actuating drives and connectors ensure a comfortable temperature at the Philips High Tech Campus.



The »Palladium« residential park is the show project for heating that exclusively uses alternative energy supplies. HERZ-distributors, TS-98 thermostatic valves, actuating drives and circuit regulating valves help to save energy.

Night on a quarter of a century HERZ Armaturen in the Netherlands

Since 1978, B.V. Durinck has been the exclusive representative of **HERZ Armaturen** in the Netherlands.

In 1980 Louis Durinck, the founder and the person who gave the company its name, was supported by Martin Hutjes who still deputises today. Nowadays the core team at Durinck consists of eight employees working in sales, administration and marketing. The eight field staff are still part of the parent company – WTH which ensures that HERZ Armaturen is represented throughout the Netherlands.

The growth over the last 24 years can be seen in the turnover. The initial turnover of 730,000 euros has increased to almost 5 million euros today.

Durinck's headquarters are in Dordrecht, close to Rotterdam. This growing industrial location where a great deal of new building is taking place, offers various options for the installation of HERZ fittings »right on the doorstep«.

The complete HERZ product range in use – thermostatic valves increase in popularity

There is much demand for the complete HERZ product range in the Netherlands. Among the most important products are the HERZ-GP and -DR radiator control valves and HERZ-distributors. At present, radiators are increasingly being altered to valve compact radiators. Due to the predominance of other heating systems in the Netherlands, thermostatic valves have not been a key product in the Netherlands up to now. But they are currently popular

and their market share has already reached 8%.

The circuit regulating valves product group is also maturing and Holland will become one of the major markets of the future.

HERZ advances as a supplier of complete systems

In the Netherlands there is a strong demand for specific expertise in the sphere of heating and cooling. Manufacturers who offer complete solutions as well as training and documentation in Dutch are sought-after partners for the country's plumbers and planners. HERZ has already gained its reputation as an expert company offering complete solutions and is working to strengthen this position. "The large selection of thermostatic heads and thermostatic valves, the HERZ 3000 series and, for example, the new HERZ 4007 differential pressure controller are just some of the products that can make the lives of Dutch (heating) customers easier and more comfortable", explains Martin Hutjes.

Two of HERZ's large projects – Philips too puts its trust in Austrian quality

The Philips High Tech Campus, an in-house training centre founded by Philips in Eindhoven, which serves as a technical university, is completely equipped with a

floor heating system. All fittings and distributors installed in the seven buildings – three of which are already completed – have been supplied by HERZ.

The second interesting project, in which HERZ has played a decisive part, is the »Palladium« residential area in Houten that comprises more than 400 dwellings. The apartments are supplied exclusively with alternative energy and HERZ distributors and circuit regulating valves guarantee a smooth supply.

The Netherlands

Head of state:	Queen Beatrix	
Type of state:	Parliamentary monarchy	
Language:	Dutch	
Capital:	Amsterdam	
Seat of government:	Den Haag	
Size:	Land mass = 33,873 km ² and water = 7,655 km ²	
Inhabitants:	16 million	

Important facts and details:

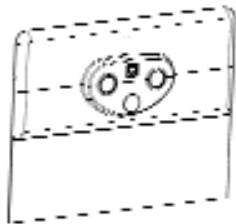
The kingdom of the Netherlands consists of the Netherlands itself, the Caribbean islands of the Netherlands, the Netherlands Antilles and Aruba. Holland – as the Netherlands is often called – actually comprises only two provinces on the west coast. Although the Netherlands is very small it has the world's largest harbour at Rotterdam. Approximately one quarter of the Netherlands lies below sea level. The Netherlands is best known as the country of flowers and its share of the world flower market is 60%.

We now offer **complete accessories** for HERZ Switch fix, the most flexible way to **connect radiators**.

HERZ »Switch fix« reverse distributor – Now with appropriate accessories

You can obtain a complete material list directly from HERZ in Vienna for perfect planning and installation, or ask your local HERZ representative.

A brand new product is the white **HERZ cover** (RAL 9010 – item number 1 3030 50) in plastic, for cutting into lengths. This completes the Switch fix accessories set and guarantees a clean solution for flush mounting. Its shape also allows chair strips to be mounted without causing dents.



Now available: HERZ-double connection set

The HERZ-double connection set (1 4133 01) with its anti-switch off function can be wall mounted on flush boxes and guarantees pipe connection without a crossover. The package includes flush box and cover plate. Compression unions and valve connection elbow sets can be ordered separately.



HERZ-connection nipples, cone sealing, 1/2" connection, female thread, 1 3002 09, 1 set (containing 2 pieces)



HERZ-connection elbow set, made of nickel-plated copper pipe, 100 x 300 mm, for cutting into lengths, 3S31860, 1 set (contains 2 pieces)



HERZ-Switch fix reverse distributor For pipe connection without crossover, 1 3030 01



HERZ-compression unions, as required



New HERZ-compression union set – with large rubber seals for pipes made of stainless steel

The new and universal HERZ-screw connection – the new HERZ-compression union set with large rubber seals – is mainly used for pipes made of stainless steel but can also be deployed with copper or soft steel pipes. The large rubber seals provide the necessary balance for the »ovality« of pipes made from stainless steel resulting in a tight and permanent connection.



HERZ-compression unions are delivered pre-assembled.

Technical data

- Material: Union nut and olive made of nickel-plated brass, seal made of elastomere
- Maximum operating pressure 10 bar
- Maximum operating temperature 110 °C
- Hot water quality according to Austrian Standard ÖNORM H 5195 and/or VDI-guideline 2035
- Field of application according to EN 1254-2: Suitable for copper pipes and pipes made of soft steel or stainless steel.



Article Number	Connection	Pipe dimension
1 6276 ..	3/4" Euro cone	Diam. 12, 15 and 18
1 6286 ..	M 22 x 1.5	Diam. 12 and 15

Design cover for HERZ-3000 – now available in new colours



The cover for the HERZ-3000 connection systems can now be supplied in white (RAL 9010 – article number 1 0100 21), traffic white (RAL 9016 – article number 1 0100 22) and also in **chrome** (1 0100 41). Now HERZ DE LUXE and design thermostats can be perfectly matched to any design radiator. Other colours on request!



NEW: HERZ-intersection element »X«-type

... for changing finished valve
radiator connections in
two-pipe-systems

Experience shows that weeks or months can pass between the planning and installation of a heating system. If the piping is already in place, the positioning of the radiator may change. If the radiator has to be changed because of renovation works you may install radiators that do not conform to the advance and reverse motion connections of the old radiator. In the past, laborious pipe-laying work along with the lifting of flooring, was necessary – nowadays, HERZ offers the solution for two-pipe-systems.

HERZ »X«-type intersection element (1 3404 34)

- For shutting-off, filling and draining
- For pipe centre distance 50 mm
- Connection with G 3/4 cone seal and free-turning nut
- Pipe connection with G 3/4 outside thread for compression union connection.
- Dimension: Height 70 mm

The new HERZ 1 3404 34 intersection element fulfils the function of a radiator connection system in two-pipe-systems and replaces the role of the block which is mounted between the radiator and the pipe. It is no longer necessary to raise the position of the radiator or to reduce the length of the pipe, and the compression union can remain on the pipe.

The brand new HERZ-balancing adapter (1 3004 15) makes changing radiators easy



For one-pipe submerged valves (e. g. HERZ-VUA, as well as models from other manufacturers), the adapter balances different pipe connections with pipe centre dimensions of 35 mm or 40 mm. The adapter can be used in combination with a connection system from the HERZ-3000 series, for reconstruction and conversion to current radiator types with a pipe centre dimension of 50 mm.

Balancing two axes

Balancing can take place on two axes. The distance on the pipe side as well as the one on the wall side is levelled using a balancing radius of 15 mm.

The adapter is fitted to the valve connection with a free-moving nut for a 3/4" Euro cone and on the pipe side there is a 3/4" Euro cone connection.



HERZ VUA-T/TV straight model, four-way-valve
(1 7783)



HERZ VUA-T/TV angle model
(1 7784)

Radiator connection for flat pipe radiators

HERZ-four-way-valves for connection from below with monotube connections

Flat pipe radiators, better known as heating walls are supplied with a 3/4" flat sealed connecting piece with partition plate – a monotube connection – and a free-moving union nut. This one-sided lower connection allows the separation of flow and reverse flow water to the radiator.

HERZ offers the straight- and angle-type VUA-T and TV valves, which are suitable for these flat pipe radiators. The HERZ-VUA-TV-valves have a pre-setting function and are particularly suitable for two-pipe heating systems to allow a direct balancing of the radiator's mass flow by changing the annular gap on the advance valve. They are marked with an orange protection cap or with an orange-edged pre-adjuster wheel on the upper part of the valve, and fitted with a TS-98-V insert. On the pipe connection side there are VUA-T and

TV-valves with an M 22 x 1.5 outside thread and pipe centre distance of 35 mm, for direct mounting of HERZ compression unions.



The HERZ-4WA-T35-
four way valve (1 7765),
straight model, can be
switched from one to
two-pipe operation.

For single and two-pipe-systems we offer the reversible HERZ-4WA-T35 straight-type four-way valve. This valve is especially suitable for the reconstruction of old one-pipe systems with TKM (»Sweden«)-fittings which have an identical mean tube dimension of 35 mm and a 3/4" flat seal radiator connection. The 3/4" pipe connection with outside thread is suitable for direct mounting of HERZ-compression unions.

HERZ-differential pressure controller 4007

Dynamic circuit regulation for hydraulic balancing – automatic, precise and quick

Hydraulic balancing and differential pressure controller

Water supply at the right time

In order to create a comfortable room temperature, to optimise energy costs and to avoid malfunction, heating systems have to be designed precisely. HERZ-products are therefore carefully thought-out and provide perfect hydraulic balancing that enables easy adjustment.

Thanks to the hydraulic balancing of heating systems, all system parts are supplied with the necessary quantity of water at the right time. The system therefore provides the necessary heat emission at any time. The heat emission occurs according to the criteria on which the design was based. The theoretical maximum water quantity required is set for every section and part of the supply network. The set-up is done with the help of regulating valves, e.g. HERZ-STRÖMAX 4117, 4217 or 4218. Between planning and installation several constructional or defined changes in use or material changes may occur. We therefore recommend using circuit-regulating valves with test points (HERZ-Measuring Computer Flow Plus 8903).



Pre-setting option

In remote heating equipment and systems with condensing equipment (condensation vessels) – that is, systems that require a very low return temperature and heating systems in general, radiators are equipped with pre-set thermostatic valves (HERZ-TS 90 V, TS 98 V or TS FV). The water quantity is pre-set via the thermostatic valve and the risers are balanced. This setting enables all the basic hydraulic conditions necessary for full load to be fulfilled.



Noiseless system operation using differential pressure controllers

Heating systems operate for only 20% of their total service life at full load, and for most of their life span they only operate at partial load. This has already been taken into account during the planning process and the system is equipped with suitable controls. A part-load range operates, for example, if the outside temperature is higher than the standard outside temperature that has been taken into consideration during the design. It may occur when thermostats are affected by additional external energy (solar gain). In this case, the necessary water quantity decreases and decreasing volume flow results in an increasing variable pressure. If the maximum admissible value of the thermostatic valve exceeds 200 mbar (0.2 bar) due to high variable pressure, unacceptable noise may occur. Unfortunately, this operation mode occurs quite frequently. It can be avoided by installation of automatic balancing valves – differential pressure controllers – that are also highly recommended to take account of technical regulations.

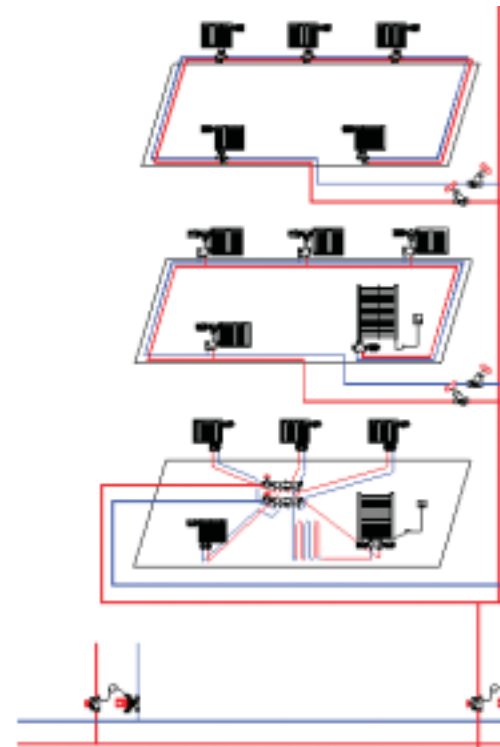
Corrections will no longer be necessary

Differential pressure controllers not only provide a hydraulic balance in any operation mode and optimised setting conditions for thermostatic valves but also reduce the operating expenses of the heating system because corrections are not required. It is no longer necessary to start the heating period earlier, to effect over-dimensioning

of the circulating pump or over-supply to the system parts.

Easier reconstruction

We recommend retrofitting variable pressure controls combined with pre-set thermostatic valves, for new buildings as well as for the reconstruction of old buildings. If there are already thermostatic valves installed without pre-settings, we recommend at least a tapering off of the



In connection with the HERZ-Strömax circuit-regulating valve, the HERZ-differential pressure controller guarantees precise and automatic hydraulic balancing in any heating system.

radiator return shut-off fittings. This helps to regulate the water quantity to each dwelling unit.

If several areas are being reconstructed over a long period, only the newly installed areas need to be adjusted. The areas that are already reconstructed and set remain unchanged.



Multiple applications

HERZ-4007-differential pressure controllers are suitable for installation in heating systems, cooling systems, ceiling heating and cooling systems and in floor heating systems.

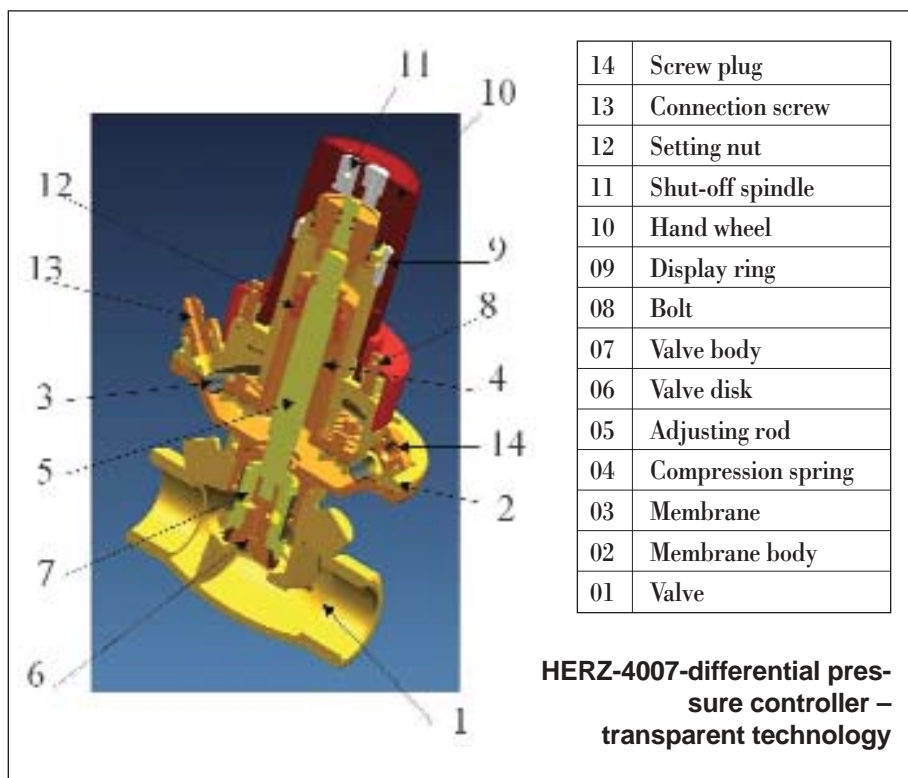
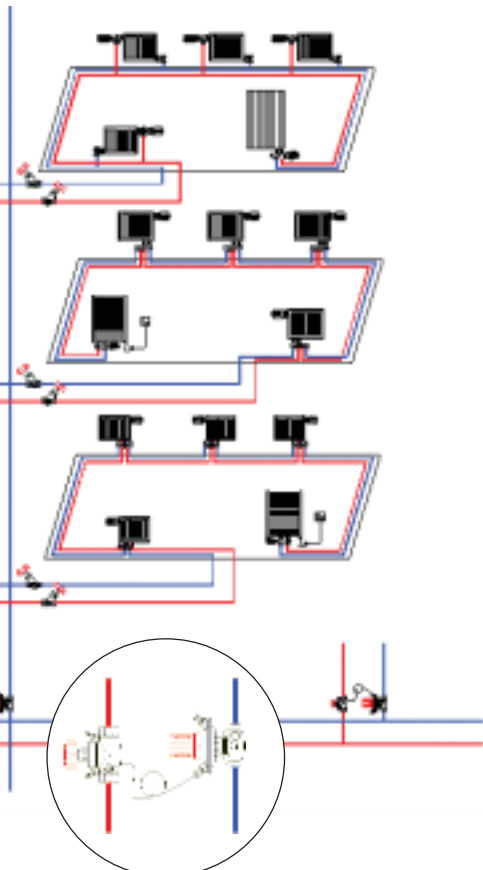
Installation in return

The installation is done in the return. A capillary connects the controller to the flow. Obstruction by dirt can be avoided by not mounting the stepping line from below.

Connections to the flow

In the flow, different HERZ-products can be installed:

- HERZ-circuit regulating valves with test points: STRÖMAX 4117, 4217



- HERZ-shut-off fittings: STRÖMAX 4115, 4125

HERZ-circuit regulating valves STRÖMAX 4217 can be converted to a 4007-differential pressure controller by changing the upper parts.

Function

The HERZ-4007-differential pressure controller is a proportional controller that operates without supplementary energy.

One product – many advantages

- Silent and problem-free
- Saves energy and time
- The heating water is automatically and correctly distributed
- Installation in return line
- Bleeding via capillary connection
- Option of connecting the stepping line at two points
- Variable set pressure value can be permanently set
- Index value can be read at hand wheel
- Set value can be locked and sealed
- Excellent control accuracy
- Large flow range
- Shut-off function
- Easy maintenance
- Short response time



In a circuit regulation process with limited effect from external pressure variations and changed water quantity, the stabilisation of pressure occurs through the membrane, spindle and spring. Different pressures on the upper or lower membrane, transferred by the capillary or the flow, lead to a movement of the valve cone. If the differential pressure of the system increases, the valve closes. This is done by the capillary connected to the external membrane chamber. If the differential pressure decreases, the valve opens. The excess pressure is reduced by the differential pressure controller, only the regulated variable pressure is available. The required differential pressure is permanently pre-set (set value between 50 and 300 mbar) by the spring.

Pre-setting using the cap – read, lock and seal from outside

The cap is used to secure the chosen pre-setting against adjustment. The regulated value can be read, locked and sealed from the outside at any time. The pre-set value is set to a minimum value as supplied. The blocking ring is locked in the upper position. To set the required value (pre-setting of spring), lift the blocking ring and turn the hand wheel. If necessary, for example, for maintenance, the differential pressure controller can be used to shut off the system. If there is not enough space to facilitate the installation, the upper part can be unscrewed.

NEW: HERZ-STRÖMAX 4218 GMF

The **circuit regulating valve** product group for measuring variable pressure has been extended

HERZ completes its product range with the new straight-pattern circuit regulating valve **HERZ-STRÖMAX 4218 GMF**, and guarantees perfect hydraulic balancing.

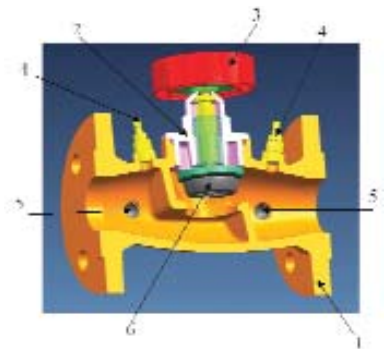


HERZ-STRÖMAX 4218 GMF – Easy circuit regulation

The HERZ-STRÖMAX 4218 GMF for measuring variable pressure is supplied as a flange model in dimensions 25 to

80 mm. The straight pattern valve has two test points that are positioned next to the hand wheel. The body is made of cast iron and coated in blue. The brass upper part is screwed and equipped with a non-rising spindle. The pre-setting is shown digitally in the hand wheel window.

With these products, HERZ offers a broad range of flange-type circuit regulating valves. Thanks to the new STRÖMAX 4218 MFS, inclined model, the HERZ-flange-type circuit regulating valves can be supplied in all dimensions between 25 and 200 mm.



- 1 Valve body
- 2 Upper part
- 3 Hand wheel
- 4 Test points
- 5 Drain plug
- 6 Intermediate part

Model	Dimension	Article number
4218 GMF	25	1 4218 43
	32	1 4218 44
	40	1 4218 45
STRÖMAX-GMF	50	1 4218 46
	65	1 4218 47
	80	1 4218 48



NEW: HERZ-system components for floor heating systems

– A guarantee for the highest levels of **control** and **comfort** with precise setting capability

Extension of the floor heating control set product range

Our last issue of HERZ NEWS informed you about the new floor heating control set

for rooms of up to 45 square metres. The product range has since been extended and sets are now available in three further dimensions – for rooms of up to 85 square metres, up to 120 square meters and up to 160 square meters.

The HERZ-floor heating control sets (this picture shows the components for the set suitable for rooms up to 45 square meters) guarantee a constant advance temperature for floor heating systems that are integrated into radiator heating systems.

HERZ-floor heating control sets

Components		Article number	Components		Article number
For rooms up to 45 square meters	1 HERZ-Thermostat with contact sensor 1 Safety switch 1 HERZ-TS 90 Thermostatic valve DN 15 1 HERZ-GP Regulating valve DN 15	1 8100 01	For rooms up to 120 square meters	1 HERZ-Thermostat with contact sensor 1 Safety switch 1 HERZ-TS-E Thermostatic valve DN 20 1 HERZ-RL-1-E-Return valve DN 25	1 8100 03
For rooms up to 85 square meters	1 HERZ-Thermostat with contact sensor 1 Safety switch 1 HERZ-TS 90-E Thermostatic valve DN 15 1 HERZ-RL-1-E-Return valve DN 20	1 8100 02	For rooms up to 160 square meters	1 HERZ-Thermostat with contact sensor 1 Safety switch 1 HERZ-TS-E Thermostatic valve DN 25 1 HERZ-Strömax 4115 Shut-off valve DN 32	1 8100 04



The Natural History Museum in Vienna was an impressive setting for a very special trade convention. HERZ Armaturen invited guests from Austria and foreign countries to an evening full of musical and culinary delights.

An evening with HERZ

Both Austrian and international guests enjoyed an evening full of music and culinary delights.

The Natural History Museum in Vienna was an impressive setting for a very special trade convention. HERZ Armaturen invited guests from Austria and the rest of the world to a concert with the Vienna violin quartet and Gabriela Bone. Customers, partners and friends from HERZ came from Austria, Croatia, Slovenia, Bosnia, Hungary, the Czech Republic, Slovakia, Poland and the Netherlands and enjoyed a pleasant and varied programme full of classical music, humour and a superb dinner. Dr. Gerhard Glinzerer, general manager of HERZ Armaturen and Prof. Dr. Bernd

Lötsch, director of the Museum, both pointed out that HERZ Armaturen and the Natural History Museum have many things in common. Both directors emphasized the aim of using technologies that do not harm the environment – outside the museum as well as inside.

Presenting the first part of the concert – Mozart's Divertimenti – Prof. Lötsch outlined another important story. In the early 90s, the Natural History Museum had to examine a skull, known as the head of Mozart and stored in the Mozarteum in Salzburg ...



Dr. Gerhard Glinzerer, general manager of HERZ Armaturen and Prof. Dr. Bernd Lötsch both emphasised the mutuality of their interests and aims – environmental protection by supporting technologies that are not harmful to the environment.

The Vienna violin quartet – Günter Seifert, Eckhard Seifert, and Milan Šetena – all members of the Vienna Philharmonic Orchestra – and Josef Pitzek, bassist at the Radio Symphony Orchestra – presented a musical programme that led us through the early sounds of Vienna to today's music. The latest piece, the »Plumber's Polka« which was composed specially for HERZ customers by Rene Reutterer and the »Vivacity Waltz« by the violinist Günter Seifert showed us that this tradition is still alive. For the first time ever the musicians were supported by a singer, Gabriela Bone, a soprano at the Vienna Opera, presenting songs from Schubert, Beethoven, Stolz and Lehar and delighting the audience. For our international guests, Gabriela Bone even sang some songs in Hungarian and Slovakian.

It was a pleasure to listen to Dr. Wilhelm Sinkovicz's very authoritative and humorous presentation of the programme. He is a newspaper music editor and a well-known music critic.

The convention concluded with the now traditional dinner buffet on the first floor of the museum. Almost two hundred guests accepted this invitation and enjoyed a splendid conclusion to the evening.



The audience delighted in the Vienna violin quartet and Gabriela Bone who presented a brief musical promenade through the Vienna music scene.



Almost two hundred guests from Austria and abroad enjoyed an evening full of atmosphere and HERZ. The picture shows the delegation from Croatia and Slovakia.



The guests were invited to a splendid dinner buffet served on the first floor of the museum. Some could hardly wait to enjoy the delicious food ...



The HERZ sales team, responsible for the Austrian market: Walter Zach, Martin Grießler, Karl Richter, Jürgen Berger, Suzanne Juza, Peter Haček, Günther Kuchler, Christian Kluwick (from left to right).

People who set their hearts on – The sales staff of HERZ Austria

The young and highly motivated HERZ sales staff is complete now. The sales people take care of plumbers, wholesalers, planners and public authorities in Austria and set new emphasis on the product training.

Susanne Juza, general sales manager, and Martin Grießler, sales manager for the Austrian market lead a team of six HERZ field representatives who are responsible for all sales in Austria. Karl Richter and Peter Haček are taking care of customers in Vienna, Lower Austria and the Burgenland region. The Danube perfectly divides their sales regions – Karl Richter is responsible for customers »north« and Peter Haček sees the ones »south of the Danube«. Christian Kluwick is responsible for the areas Vorarlberg, Tirol and the Salzburg Pinzgau and Walter Zach takes care of customers in Upper Austria, Salzburg, Flachgau and Tennengau. Günther Kuchler with the fewest years of service at HERZ, takes care of the Kärntner area, Pongau and Lungau and Jürgen Berger, the senior sales member is responsible for customers situated in the Steiermark.

Put main emphasis on certain products – Force support for projects

Apart from the »classic and standard« sales work, the HERZ sales staff puts its main emphasis on product training. In



Gabriele Vogl, internal Sales Austria. Gabriele Vogl has worked for HERZ Armaturen for 23 years!

2002, training was focused on the HERZ-skirting board system and HERZ-circuit regulation valves. All customers have been informed about updates. Also training and application courses were held on a regular basis. "Our interest is to inform our customers about new products and innovations, especially products that are not necessarily thought of when thinking of HERZ", explains Martin Grießler who, apart from being the Austrian sales manager, is responsible for wholesalers and project coordination. In 2003 the main emphasis will be placed on HERZ-press fittings and the new HERZ-fittings for drinking water. The second important project will be to support special products. It does not matter if the project is large, small or of medium size – HERZ will be happy to support any project from the very beginning till the end. Whatever help is needed – HERZ will be proud to assist you.

Training at HERZ? – We are happy to provide you with further information!

In order to optimise and intensify the customer service we will increase our offer for technical training and onsite support, which will be provided, by our local representatives and/or our technical staff. For bigger groups we offer training at our Vienna headquarters where you also find the opportunity to have a glance at our production. The new HERZ-education centre offers the ideal surroundings for this purpose. Please do not hesitate to contact us for further information.

Your order is in good hands

Apart from the HERZ field staff, we want to present you Gabriele Vogl. Since 23 years she holds the reins in the background. Thanks to her office work and service, orders are handled promptly and with care.



The new HERZ-training centre where the HERZ-product training takes place presents an exhibition of HERZ-products and is equipped with modern media and presentation devices.

»Special Olympics« tennis championship in Georgia

»Special Olympics« is an international organisation that organises sports events for handicapped children and adults. In 2002, Special Olympics Georgia organized a tennis championship in Tiflis, where the former professional tennis player Leila Meskhi played a leading role in the project. HERZ also contributed money to the project and, along with participants, organizers, volunteers and fans, was one of the winners of this tournament!



Ekaterine Vepkhvadze, Gigori Vepkhvadze and Irina Sakoyan proudly display their medals (from left to right).

HERZ Bulgaria Wrestling World Championship – sponsored by HERZ

HERZ Bulgaria sponsored the Wrestling World Championship that took place in late 2001 in Sofia. The international audience was not only attracted by the best sportsmen and women but also by the well placed HERZ-products.



In June 2002, Gerhard Glinzerer, general manager of HERZ, and Gulchohra Mamedova, head of the university, signed a statement to agree further co-operation. HERZ is to provide a fully equipped training laboratory for the students of the heating and cooling technology faculty. The laboratory will be ready for use in February 2003.

HERZ promotes university education in Azerbaijan The new »Co-operation of knowledge«

HERZ continues to support projects in the field of university education. After successful co-operation with the universities of Kiev, Dnipropetrovsk (Ukraine)

and Tashkent (Uzbekistan), HERZ is now also supporting the university for building and architecture in Baku, Azerbaijan.

HERZ in Canada

HERZ was the only Austrian company represented at the ISH Trade Fair in Toronto Canada, which ran from 31st Oct to 2nd November last year. The latest HERZ products could be seen on the stand of the HERZ representatives for Canada – Stelrad (Canada) Inc.

The picture shows (from left to right), Shaun Cronin, managing director Herz Valves UK, Prof. Vadim Potapov – an old friend of HERZ, formerly professor at the University for building and architecture of Kiev and now resident of Toronto –, David Treharne, proprietor of Stelrad (Canada) Inc. and



Gerhard Glinzerer, managing director Herz Armaturen.

News from the Silk Road

Creativity is everything – for heating systems too. This was proven by a plumber from Tashkent in Uzbekistan. There we discovered a very unusual mounted radiator and HERZ-fittings in an upright position.



"Never shout at your plumber!"



ONE FOR ALL!

...ALL FOR DESIGN!

The HERZ-design thermostatic head for all modern radiator valves. The thermostatic head was developed in cooperation with Porsche Design GmbH and is very precise, versatile and reliable. And best of all, it can be fitted to all valve or bath radiators with HERZ-thermostatic valves as well as to threaded connections M 30 x 1.5 ("H"-model). And of course it also works with clip-on or snap-on fastenings ("D"-model) and radiators with Vaillant thermostatic valves ("V"-model).

Bring design and perfection to your rooms.

PERFECT FUNCTIONALITY + PERFECT DESIGN + PRECISE + RELIABLE AND VERSATILE + EN 215

5 YEARS HERZ WARRANTY + REMOTE SENSOR OR REMOTE ADJUSTMENT + SPECIAL MODEL WITH GRIP RING



Say Heating. Say Herz.

www.herz-armaturen.com